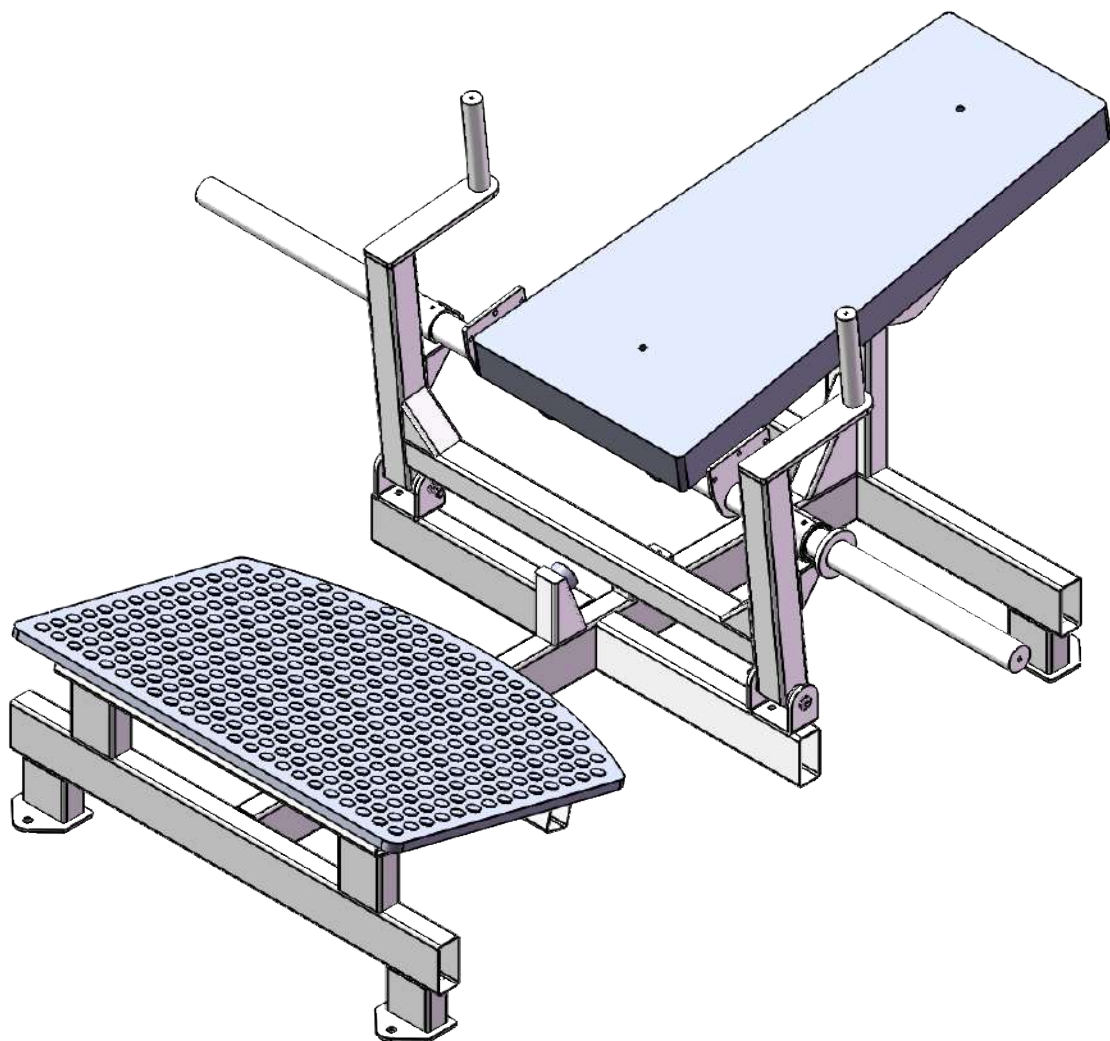
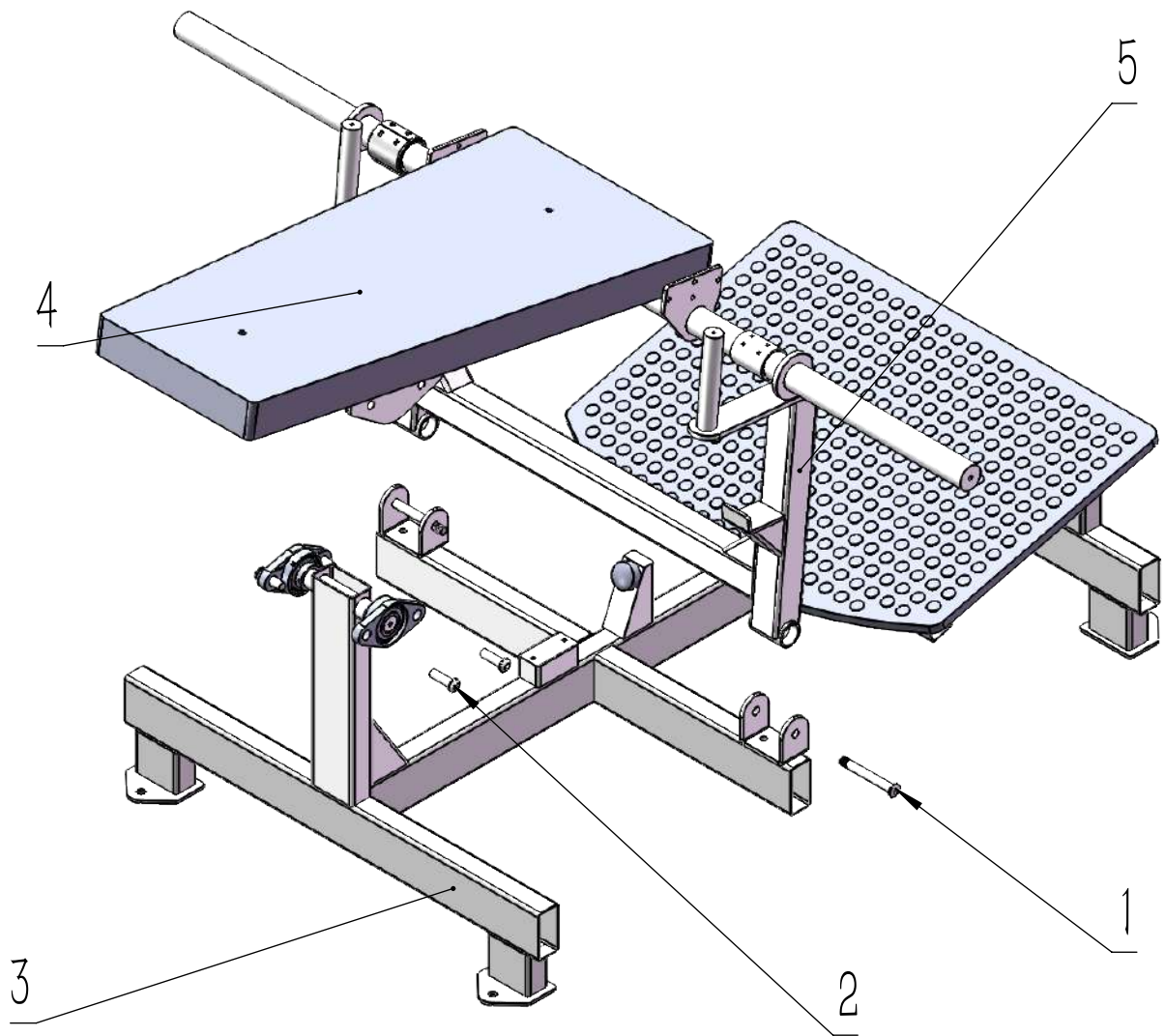


# Installation instructions

## BUTTOCKS BRIDGE



REALLEADER FITNESS CORP



Number	Name	Number
1	M12X100	2
2	M12X40	8
3	Chassis	1
4	Backrest group	1
5	Arm group	1