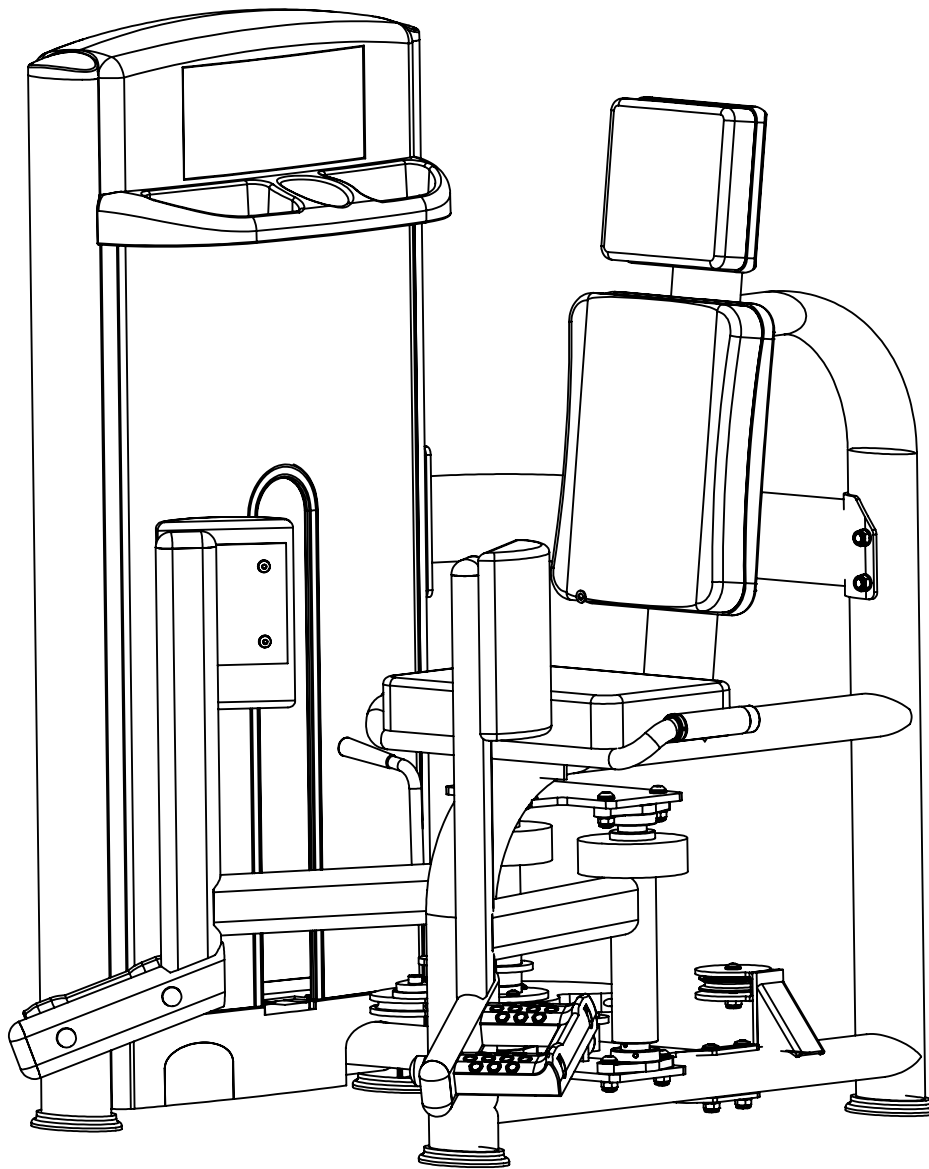


ASSEMBLY INSTRUCTION



M7-2002
Hip Adductor

Contents

Parts List Page 3

Main Frame And
Side Frame Assembly Page 4

Side Frame Assembly Page 5

Sead Frame Assembly Page 6

Weight Stack Assembly Page 7

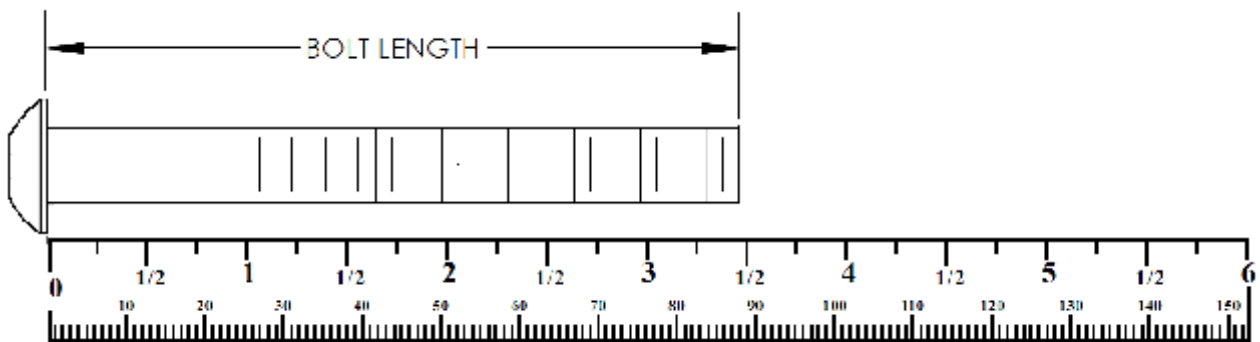
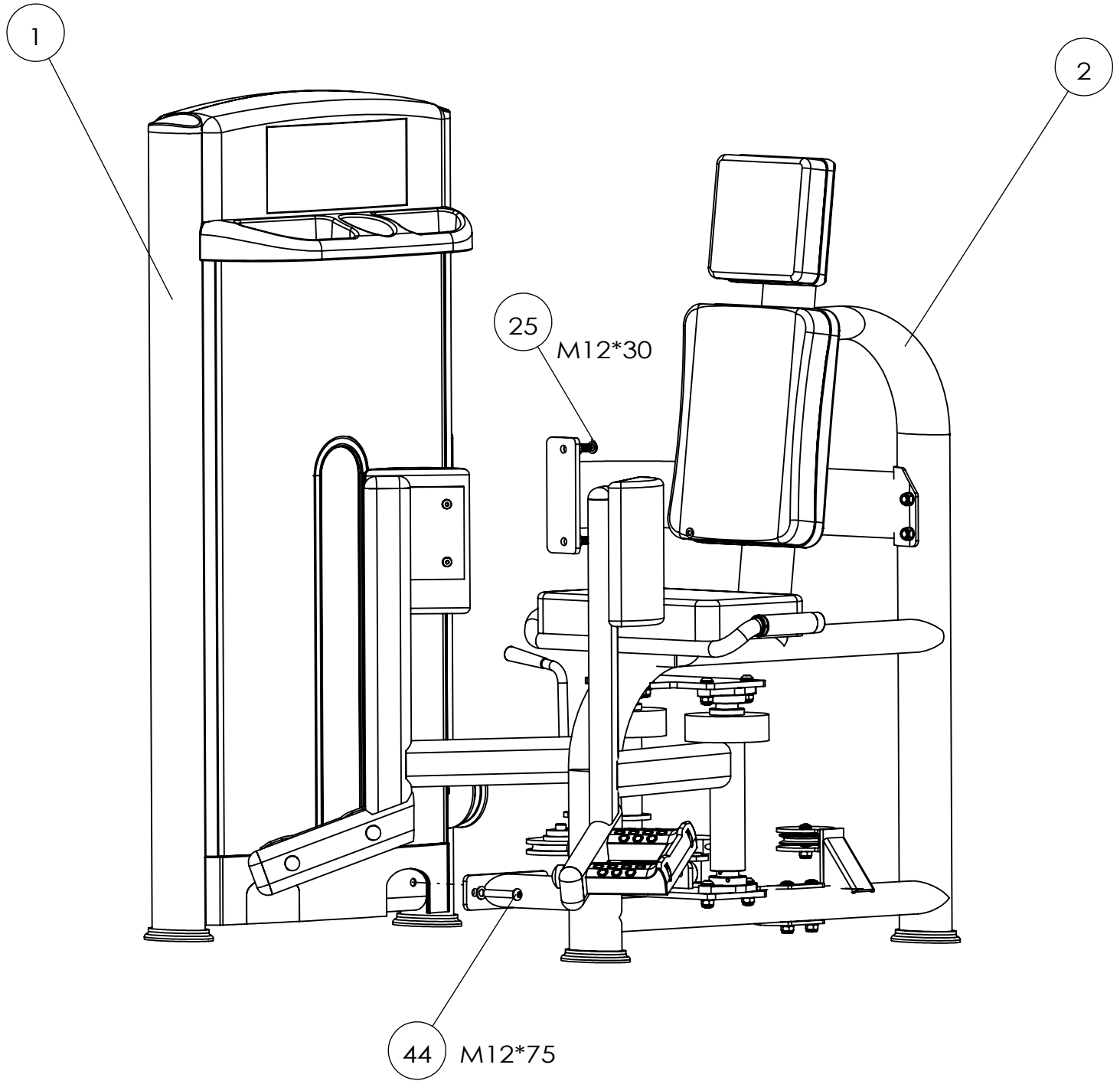
Image Page 8

PARTS LIST

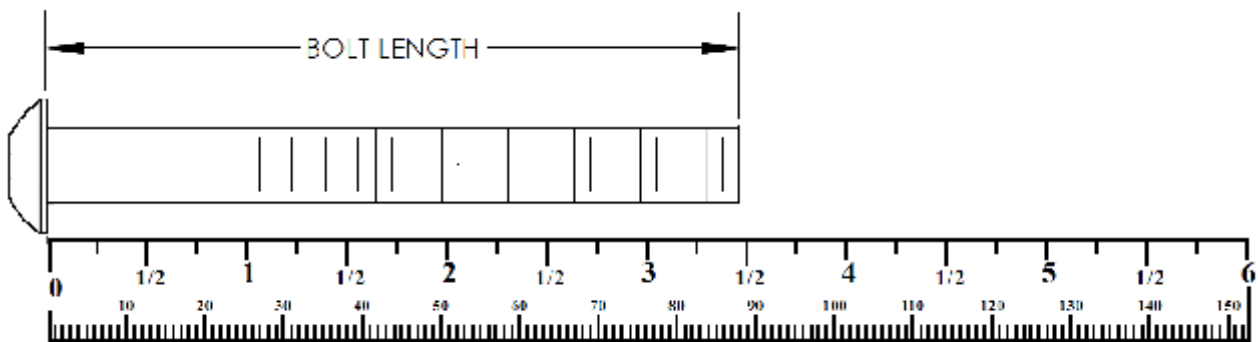
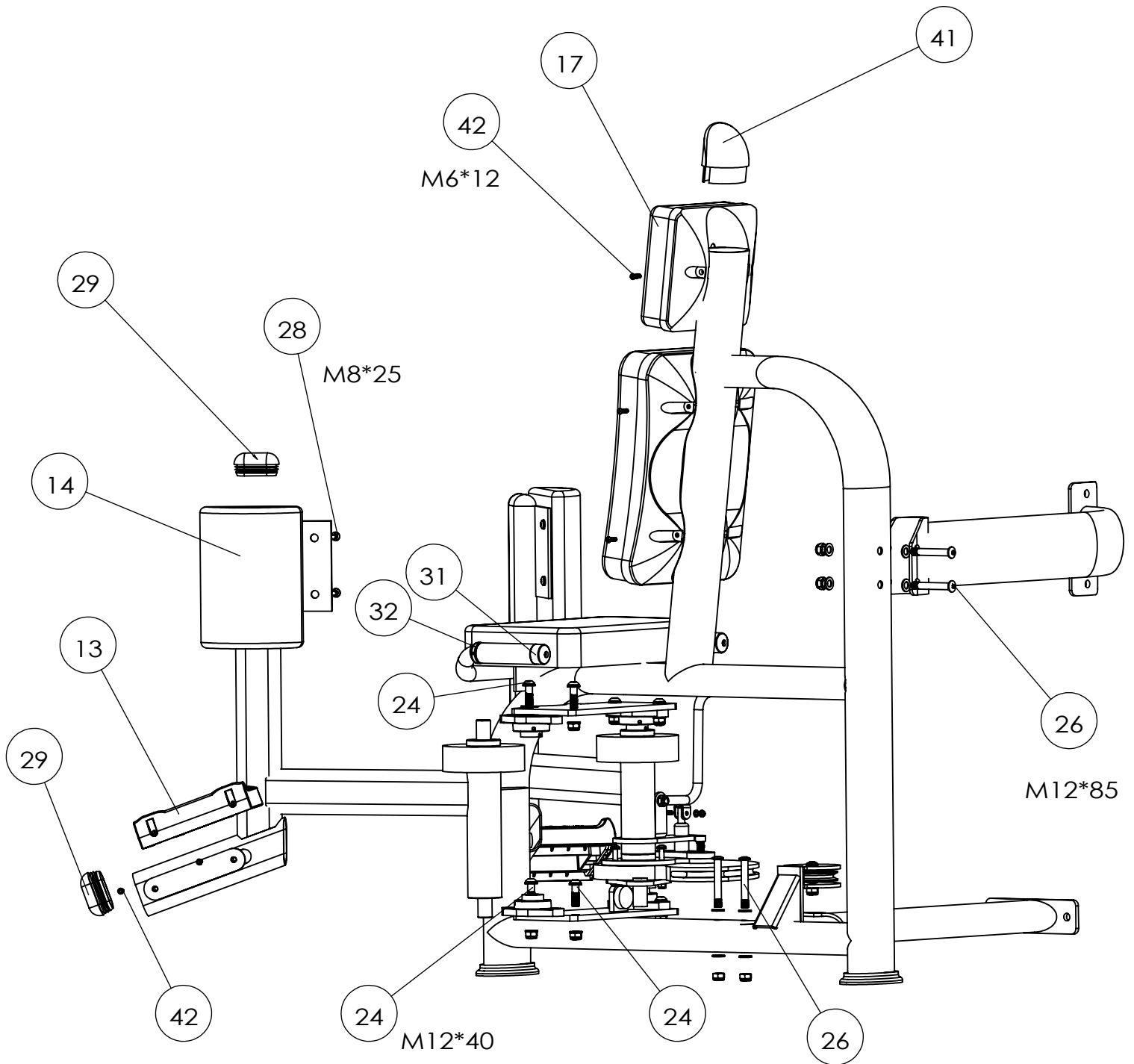
项目号	零件号	说明	QTY
1	框架装配		1
2	副架		1
3	snr_esfl205_0		4
4	1轴		1
5	2轴		1
6	装配体2		1
7	板3		2
8	调节盘		1
9	直撑1		1
10	5-27		1
11	调节销		1
12	弯撑1		1
13	塑料件		2
14	外展腿垫		2
15	外展坐垫		1
16	M5大靠背		1
17	M5头垫		1
18	支位板4组		1
19	支位球	Rubber Support	2
20	大线轮		1
21	89滑轮		1
22	M12平垫圈	Washer, M12	30
23	M12防松帽	Nut, M12	15
24	半圆头M12X40		8
25	半圆头M12X30	Screw, M12x30	2
26	半圆头M12X85	Button Head Cap Screw, M12*85	4
27	M8平面垫圈	Washer, M8	12
28	半圆头M8X25	Screw, M8*25	4
29	M4小管堵		4
30	塑料手把		1

项目号	零件号	说明	QTY
31	手把盖		2
32	手把圈1		2
33	120手把套	Grip, 150MM	2
34	圆柱头M12X20	Screw, M12X20	2
35	M6垫圈	Washer, M6	2
36	半圆头M6X30		1
37	M6防松帽	Nut, M6	1
38	M10平面垫圈	Washer, M10	5
39	半圆头M10X55	Button Head Cap Screw M10*55	1
40	M10防松帽	Nut, M10	1
41	M5牛舌		1
42	半圆头M6X20	Button Head Cap Screw M6*20	10
43	鞋		2
44	半圆头M12X75	Screw, M12X75	2
45	半圆头M10X40		1
46	半圆头M10X50	Screw, M10X50	1
47	半圆头M8X55	Screw, M8X55	3
48	M8平垫片(Φ8.5)	Washer, M8	1
49	M8防松帽	Nut, M10	3

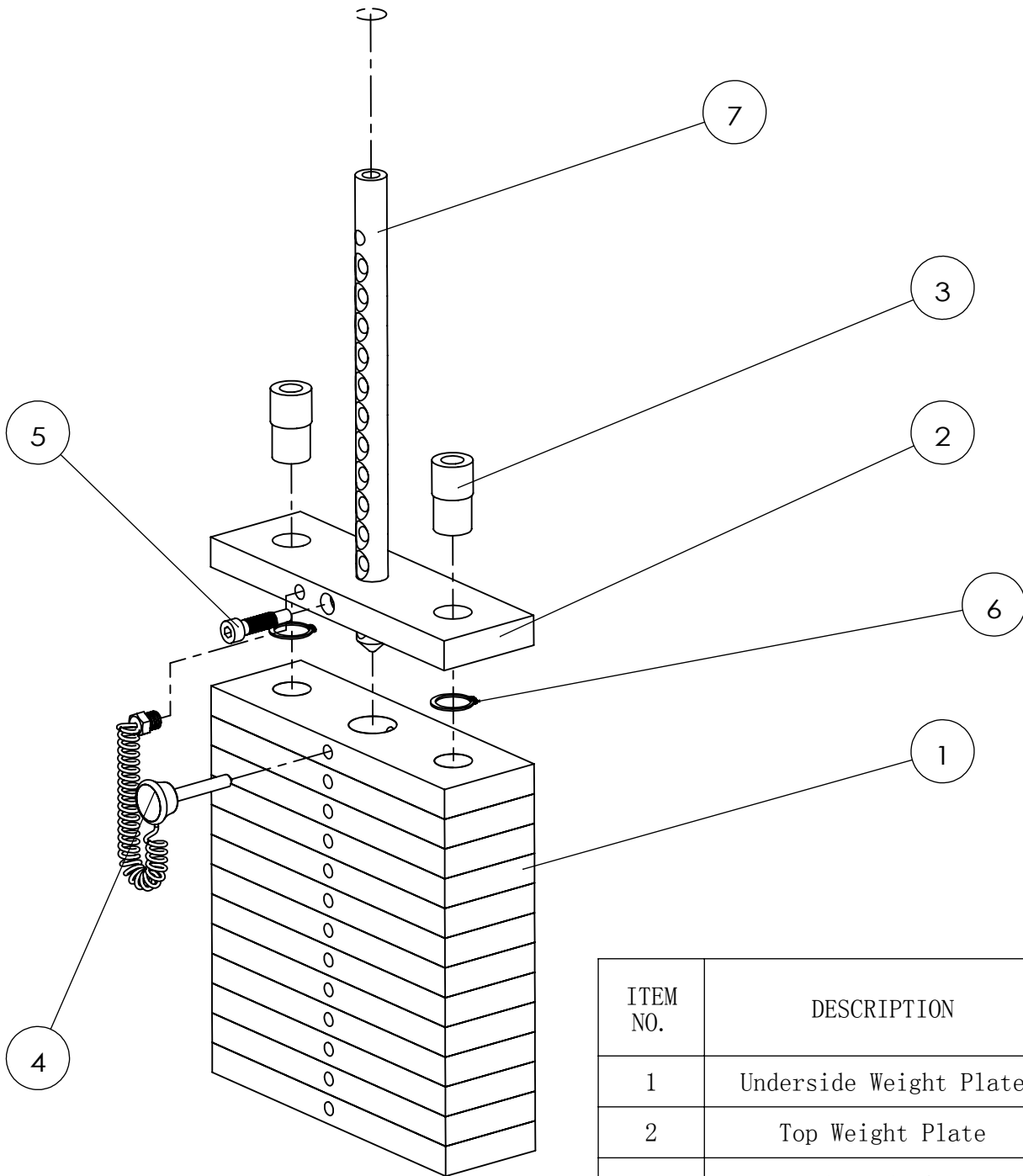
Main Frame And Side Frame Assembly



Side Frame Assembly



Weight Stack Assembly



ITEM NO.	DESCRIPTION	QTY
1	Underside Weight Plate	13
2	Top Weight Plate	1
3	Guide Rod Sleeve	2
4	Adjustable Bolt	1
5	Standing Bolt for The Top Weight Plate	1
6	Φ 30 Shaft Clip	2
7	Pole,20Hole	1

Image

